

CHAPTER 99  
SPECIAL TOOLS

<u>Section</u>	<u>Title</u>	<u>Page</u>
99-10	Special Tools . . . . .	99.1
99-20	Illustrations and Tasks . . . . .	99.3

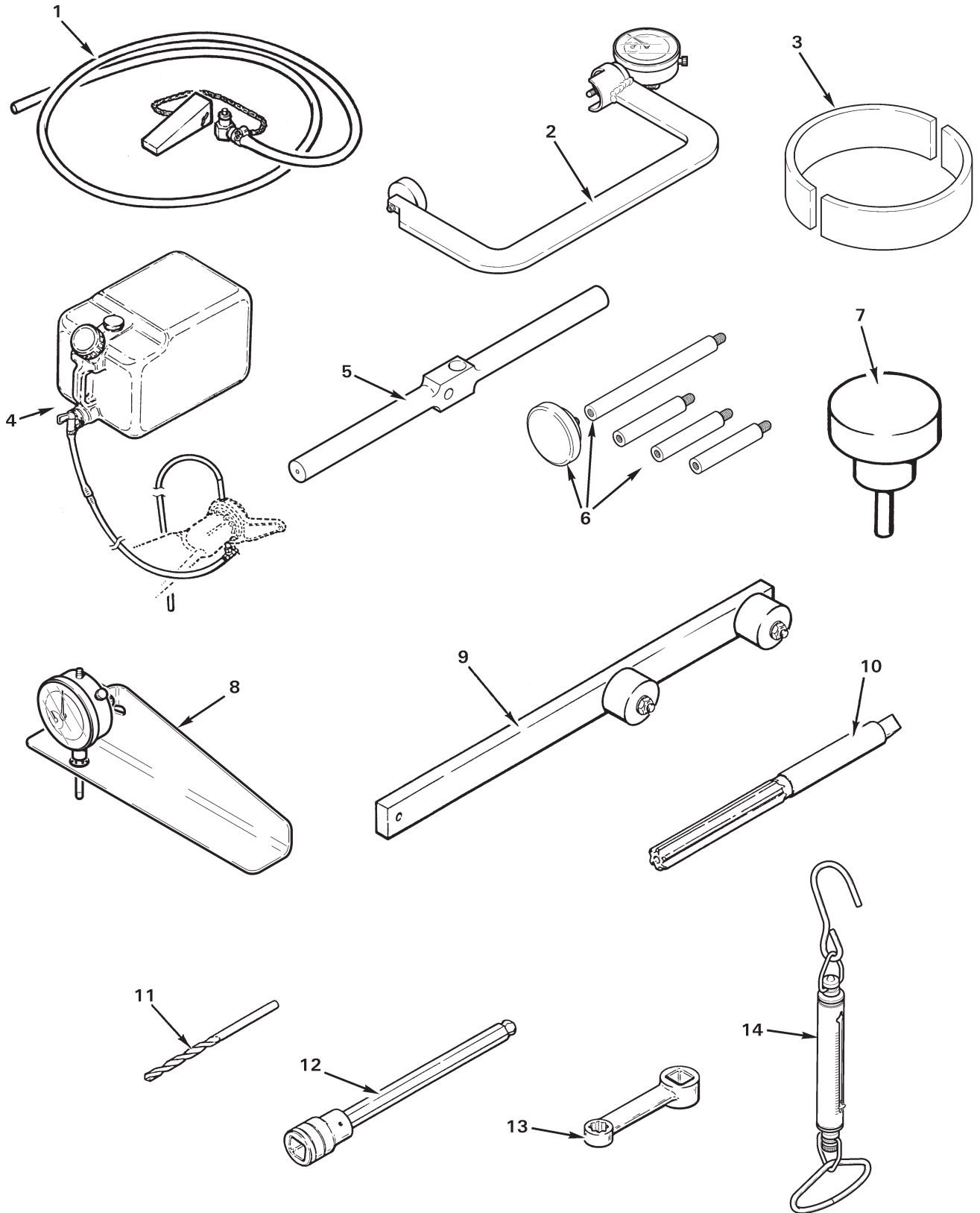
Intentionally Blank

CHAPTER 99  
SPECIAL TOOLS

99-10 Special Tools

The following is a list of Robinson R66 special tools.

R66 special tools are to be used in conjunction with the applicable instructions for continued airworthiness, for their designated maintenance task.



**FIGURE 99-1 SPECIAL TOOLS**

99-20 Illustrations and Tasks

<i>Item</i>	<i>Part No.</i>	<i>Name and Reference Section</i>
1.	MT054-1	<b>Main Rotor Gearbox Drain Assembly - Quick Disconnect</b> REFER TO SECTION 12-11 MAIN ROTOR GEARBOX SERVICING
2.	MT122-6	<b>Micrometer Assembly - Main Rotor Hub, Bolt Stretch</b> REFER TO SECTION 62-10 MAIN ROTOR BLADES
3.	MT146-4	<b>Blocks - Swashplate Rigging (set of 2)</b> REFER TO SECTION 18-30 MAIN ROTOR FLIGHT CONTROL RIGGING
4.	MT147-1	<b>Bleed Tool - Main Rotor Blade Spindle</b> REFER TO SECTION 12-51 MAIN ROTOR BLADE SPINDLE SERVICING
5.	MT179-4	<b>Balancing Bar - Tail Rotor Assembly Static Balance</b> REFER TO SECTION 64-11 TAIL ROTOR ASSEMBLY STATIC BALANCE
6.	MT260-6	<b>Tail Rotor Drive Shaft Runout Attachments Kit</b> REFER TO SECTION 65-21 TAIL ROTOR DRIVE SHAFT RUNOUT
7.	MT329-6	<b>Plug - Main Rotor Hub Bearing Installation</b> REFER TO SECTION 62-21 MAIN ROTOR HUB BEARING REPLACEMENT
8.	MT352-1	<b>Main Rotor Blade Trim Tab Gage</b> REFER TO SECTION 18-13 MAIN ROTOR BLADE TRACK ADJUSTMENT
9.	MT354-4	<b>Teeter Moment Tool</b> REFER TO SECTION 62-32 ADJUSTING HINGE FRICTION
10.	MT357-2	<b>0.375-inch diameter Reamer</b> VARIOUS; REAM BORE AFTER INSTALLATION OF A139-1 BEARING TO 0.376/0.375-INCH DIA
11.	MT357-3	<b>0.156-inch diameter Steel Drill</b> REFER TO SECTION 62-33 DRILLING NUTS AND BOLTS
12.	MT357-4	<b>Hex Driver (Snap-On Part No. FABL8)</b> REFER TO SECTION 65-40 TAIL ROTOR GEARBOX
13.	MT357-5	<b>Torque Adapter (Snap-On Part No. FRDH101)</b> REFER TO SECTION 65-40 TAIL ROTOR GEARBOX
14.	MT359-1	<b>Spring Scale (0-30 lb)</b> REFER TO SECTION 62-32 ADJUSTING HINGE FRICTION AND SECTION 67-22 COLLECTIVE FRICTION
15.	MT384-1	<b>Hydraulic Test Pump (U.S / Canada / Mexico - 110-volt)</b> REFER TO SECTION 12-34 HYDRAULIC SYSTEM BLEEDING
16.	MT384-2	<b>Hydraulic Test Pump (Outside North America - 220-volt)</b> REFER TO SECTION 12-34 HYDRAULIC SYSTEM BLEEDING

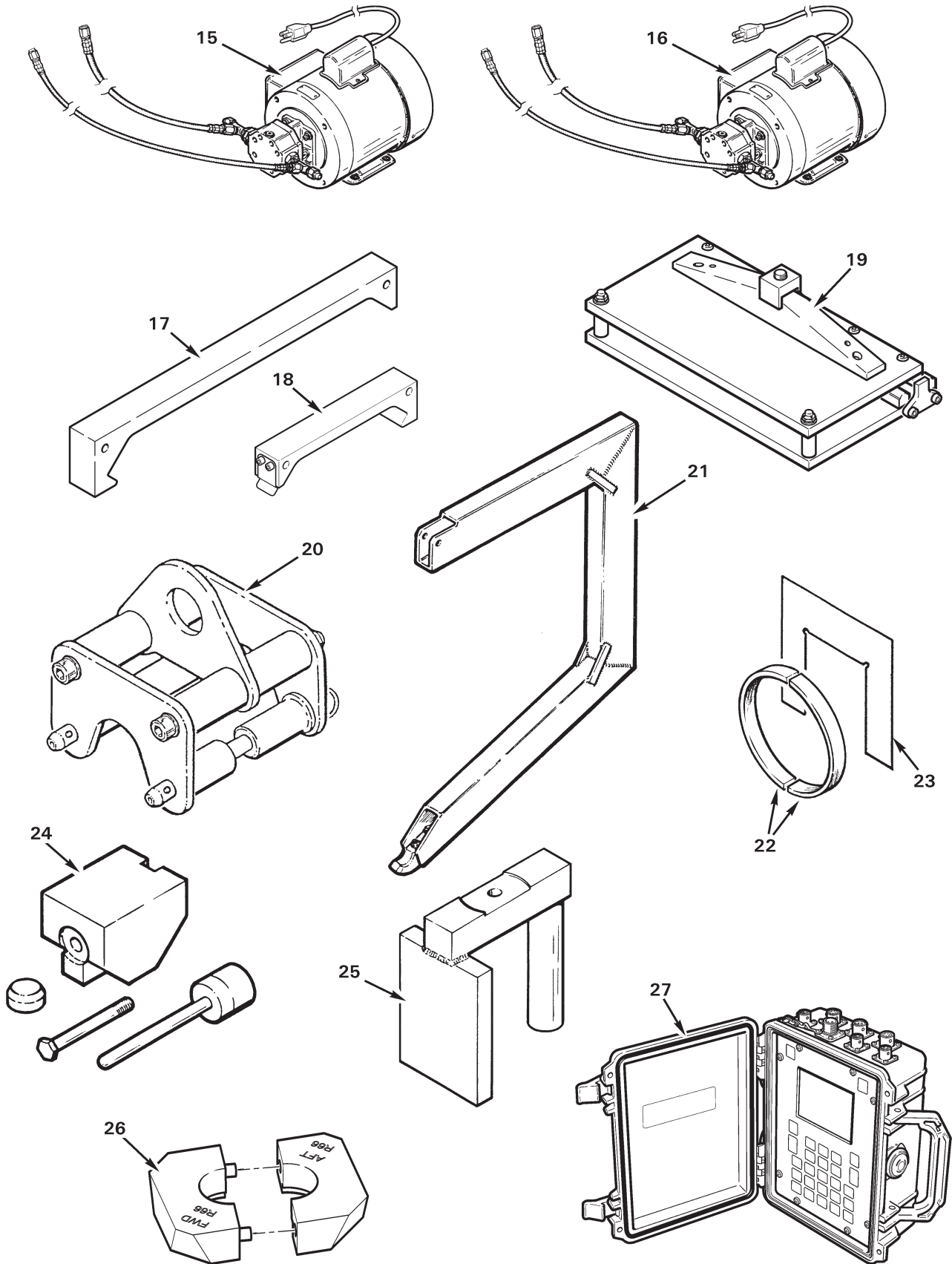


FIGURE 99-2 SPECIAL TOOLS

99-20 Illustrations and Tasks (continued)

<i>Item</i>	<i>Part No.</i>	<i>Name and Reference Section</i>
17.	MT525-7	<b>Main Rotor Blade Rigging Fixture</b> REFER TO SECTION 18-40 MAIN ROTOR BLADE ANGLE RIGGING
18.	MT525-9	<b>Tail Rotor Blade Rigging Fixture</b> REFER TO SECTION 18-60 TAIL ROTOR BLADE RIGGING
19.	MT526-8	<b>Bender Assembly - Trim Tab, Main Rotor Blade</b> REFER TO SECTION 18-13 MAIN ROTOR BLADE TRACK ADJUSTMENT
20.	MT527-1	<b>Helicopter Lifting Fixture</b> REFER TO SECTION 7-20 HOISTING
21.	MT548-1	<b>Engine Hoist</b> REFER TO SECTION 71-10 ENGINE
22.	MT549-1	<b>Spacer - Spindle Boot (set of 2)</b> REFER TO SECTION 62-10 MAIN ROTOR BLADES
23.	MT549-2	<b>Plate - Spindle Boot</b> REFER TO SECTION 62-10 MAIN ROTOR BLADES
24.	MT556-11	<b>Kit Tools - Tail Rotor Hub Bearing Replacement</b> REFER TO SECTION 64-41 TAIL ROTOR HUB BEARING REPLACEMENT
25.	MT643-1	<b>Support Weldment - Main Rotor Hub Bearing Installation</b> REFER TO SECTION 62-21 MAIN ROTOR HUB BEARING REPLACEMENT
26.	MT759-1	<b>Blocks - Cyclic Rigging</b> REFER TO SECTION 18-30 MAIN ROTOR FLIGHT CONTROL RIGGING
27.	2020HR	<b>ACES Probalancer Analyzer (or equivalent dynamic balancer)</b> REFER TO SECTION 18-10 MAIN ROTOR TRACK AND BALANCE
28.	AN970-4	<b>Washer - Tap Test Tool (or 1965 or later U.S. quarter dollar coin in good condition; not shown)</b> REFER TO SECTIONS 62-40 MAIN ROTOR BLADE INSPECTION AND REPAIR AND 64-30 TAIL ROTOR BLADE INSPECTION AND REPAIR

Intentionally Blank