

SECTION 16.000
SPECIAL TOOLS

16.000 SPECIAL TOOLS

16.001 Introduction

16.100 Tool List

This page intentionally left blank.

SECTION 16
SPECIAL TOOLS16.000 SPECIAL TOOLS

16.001 Introduction

The following section contains a list of special tools available from Robinson Helicopter for use with the procedures in this manual to properly maintain the R22 helicopter.

16.100 TOOL LIST

1. MT016-1 Engine Hoist
2. MT050-1 M.R. Rigging Fixture
3. MT050-2 T.R. Rigging Fixture
4. MT053-1 M.R. Gearbox Drain Valve Tool
5. MT068-1 Horizontal Stabilizer Rigging Tool
6. MT090-1 M.R. Trim Tab Bender
7. MT091-1 Holder - Engine Ring Gear
8. MT092-1 Fan Puller
9. MT121-1 Bracket, M.R. - Chadwick
10. MT122-1 M.R. Bolt Stretch Tool
11. MT146-1 Spacer Blocks - Swashplate Rigging
12. MT147-1 Fitting Assembly - M.R. Blade Air Bleed
13. MT173-1 Torque Wrench Extension - Fan Nut
14. MT201-1 Pressing Fixture - Bearings
15. MT234-1 Helicopter Lifting Fixture
16. MT260-6 T.R. Driveshaft Runout Tool
17. MT294-1 Collective Spring Retainer
18. MT303-1 Clutch Bearing (A184) Removal & Installation Tool (For use with hydraulic press)
19. MT303-3 Clutch Bearing (A184) Removal & Installation Tool (To be used along with MT303-1 when hydraulic press is unavailable)
20. MT331-3 Sheave Alignment Bar
21. MT344-1 Gates "V" Belt Tension Tester & MT344-2 Bar
- MT344-2 Bar (For banded belts)
22. MT352-1 M.R. Blade Trim Tab Bending Measuring Tool
23. MT354-1 Teeter Moment Tool
24. MT357-1 .125 D. Cobalt Steel Drill Bit
25. MT357-2 .375 D. Reamer
26. MT358-1 .75 D. Spot Facing Tool
27. MT359-1 Spring Scale

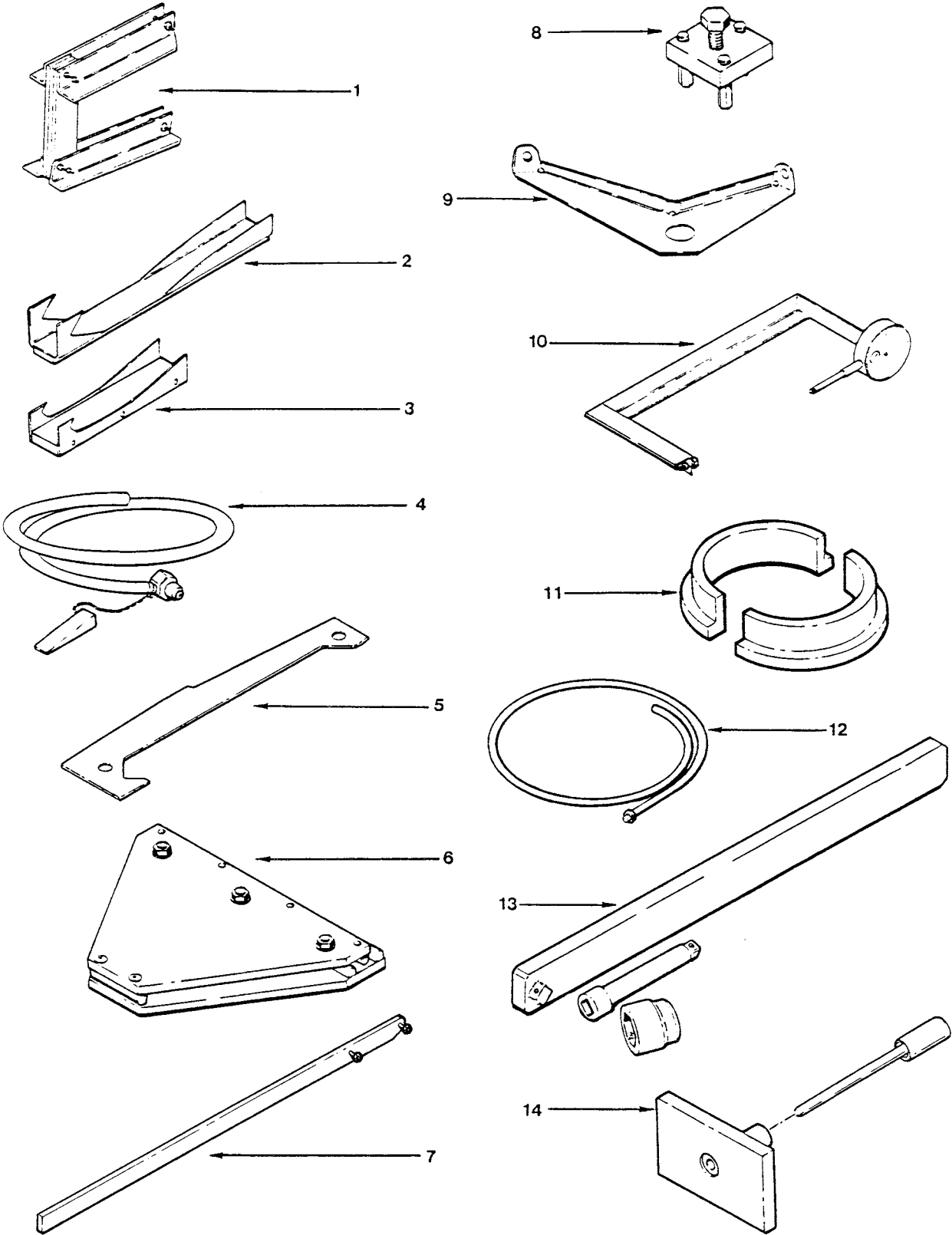


FIGURE 16-1 SPECIAL TOOLS

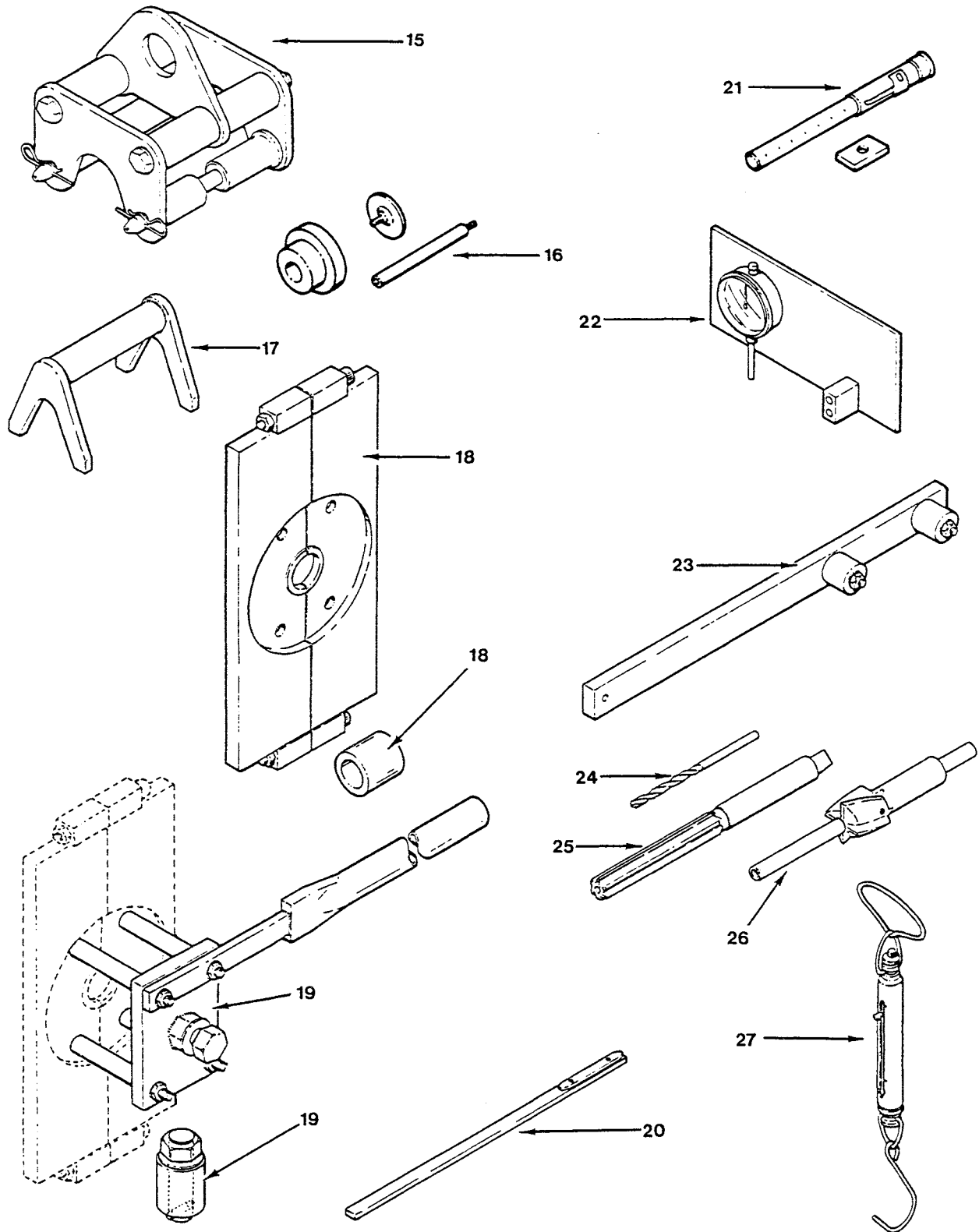


FIGURE 16-1A SPECIAL TOOLS

